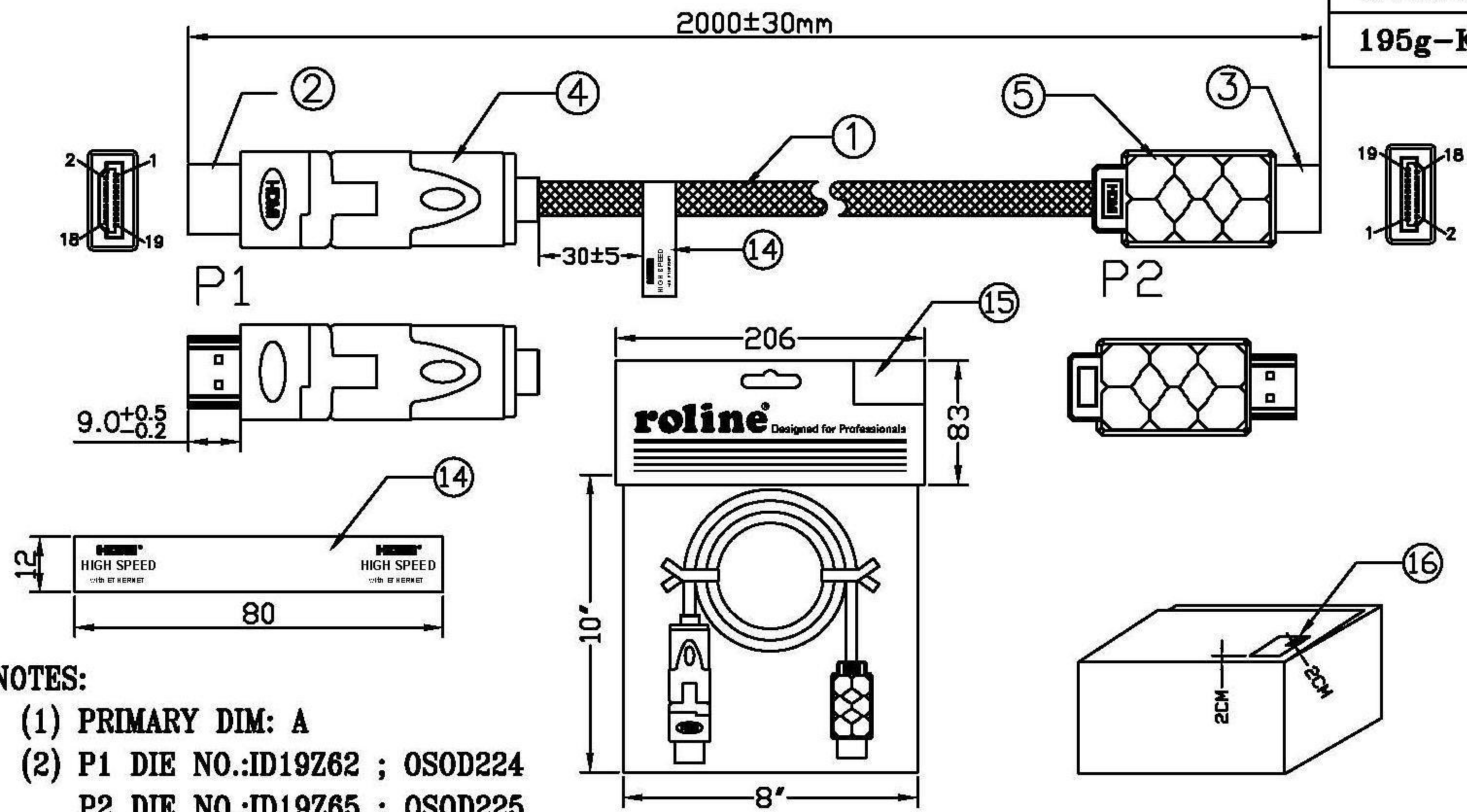


WEIGHT	CUSTOMER NO:	REMARK
195g-K1	11.04.5507	PU: 10 pcs



	P1 HDMI	P2 HDMI
RED CORE	2 1 3	2 GND 1 WHITE 3 RED
GREEN CORE	5 4 6	5 GND 4 WHITE 6 GREEN
BLUE CORE	8 7 9	8 GND 7 WHITE 9 BLUE
BROWN CORE	11 10 12	11 GND 10 WHITE 12 BROWN
ORANGE CORE	17 19 14	17 GND 19 WHITE 14 ORANGE
	13	13 ORANGE
	15	15 WHITE
	16	16 YELLOW
	18	18 RED
	SHELL	DRAIN SHELL

NOTES:

- (1) PRIMARY DIM: A
- (2) P1 DIE NO.:ID19Z62 ; OSOD224
P2 DIE NO.:ID19Z65 ; OSOD225
- (3) 1PCS/PE BAG+HEADER PAPER+LABEL(15).
- (4) RoHS COMPLIANT.
- (5) 10PCS/INNER BOX+LABEL(16).
- (6) 4PCS INNER BOX INTO A OUTER BOX.

6	OUTER JACKET PVC 25Pa BLACK(1101) RoHS
5	ZINC HDMI GOLD HOUSING RoHS
4	ZINC HDMI Rotating Cover GOLD HOUSING RoHS
3	HDMI A/M SOLDER TYPE TERMINAL & SHELL PLATED GOLD 1U" RoHS
2	HDMI A/M SOLDER TYPE TERMINAL & SHELL PLATED GOLD 1U" RoHS
1	HDMI1.4 UL20276(30#1P+D+A)*5+30#4C+A+B(64AM)+D OD:6.0MM BLACK(1101) W/NYLON NET(BLACK+GOLD) 2000MM RoHS

A	FIRST EDITION	J.Lan	07/01/11
REV.	ECR	DESCRIPTION	C.N. DATE
		Rotronic Co., Ltd.	
UNLESS OTHERWISE SPECIFIED: DIMENSIONS ARE IN MILLIMETERS ANGULAR TOLERANCES ±1.0°		TITLE ROLINE Gold HDMI High Speed Cable w/Ethernet, Rotatable, 2.0m	
DIMENSIONS		TOLERANCE	CHKD.
0.00 TO 30.00mm		±0.10mm	Drawing No.: 2162-3156
30.01 TO 80.00mm		±0.13mm	DR. J.Lan
80.01 TO 150.00mm		±0.15mm	APPD.
150.01mm		±0.20mm	MODEL NO: 11.04.5507
MATERIAL	MATERIAL		
FINISH	FINISH		
SCALE	SHEET 1/1	UNIT MM	SIZE A4
			REV. A