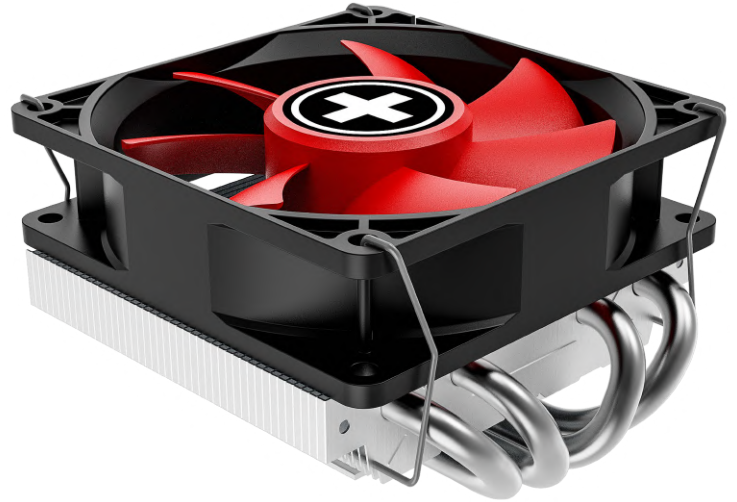


Performance C Series

AMD CPU Cooler A404T

Widening the Performance C CPU cooler Series, Xilence launches the A404T AMD, a compact but high-performance top-flow cooler for powerful multi-core processors. The cooler scores with a silent 92mm fan and an innovative fin design allowing an easier circulation of air through the reams of fins. Thus, the speed of the PWM-regulated 92mm fan can be kept at an especially low level. Thanks to the heat pipes being in direct contact to the CPU, the heat transition between CPU and cooler proves to be very smooth and efficient.



Product Features

- Silent hydro bearing 92 mm PWM fan
- Four 6mm copper heat pipes for a maximum heat dissipation
- Light aluminum heat sink
- Suitable for AMD sockets AM4
- Thermal paste included

Technical Data

Sockets	AM4
CPU max. Watt	125W
Fan Size	92 x 92 x 25mm
Fan Speed	600 - 2200 ± 10% RPM
Air Flow	65.4 CFM
Fan Control	ja
Noise Level	14 - 21.8 dB (A)
Thermal Paste	included
Dimensions (H/W/D)	55 x 100 x 105mm
Weight	250g

Logistical Data

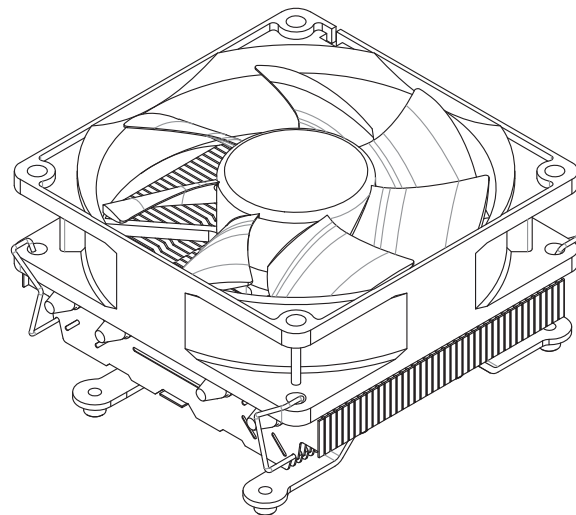
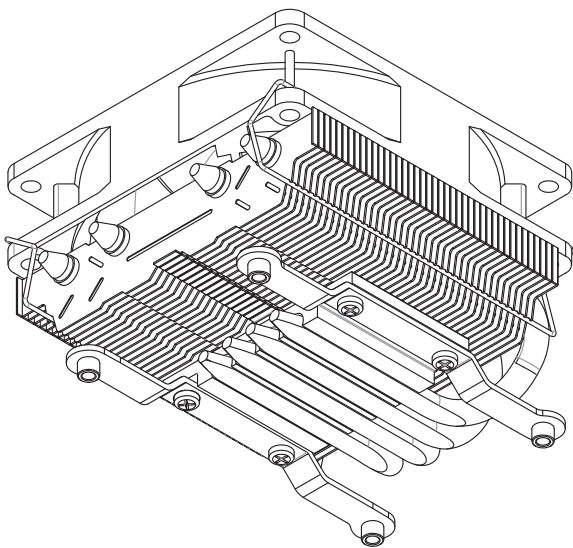
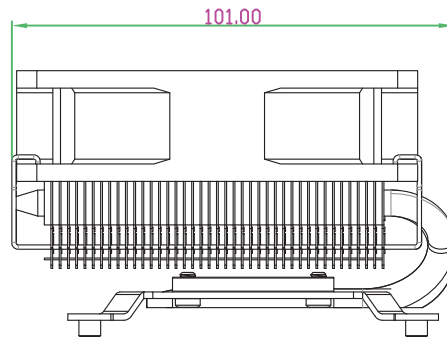
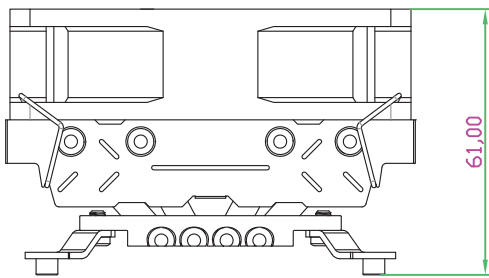
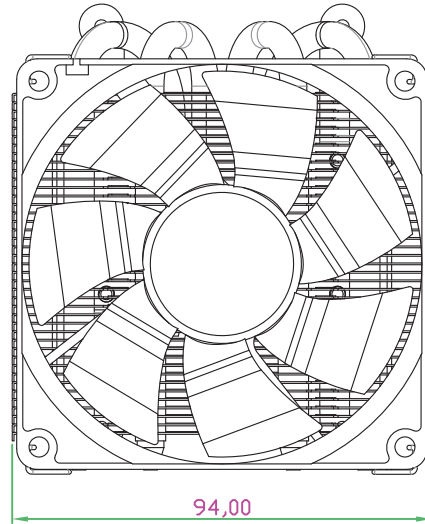
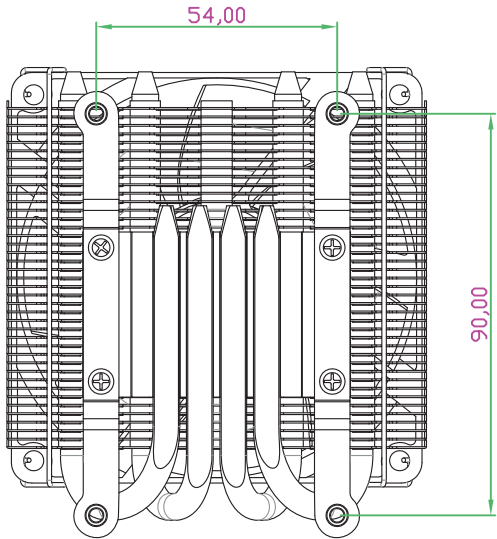
Manufacturer Number	A404T
Item Number	XC040
EAN Barcode	4044953501173



All trademarks and registered marks are the property of their respective companies. Errors excepted. Subject to change without prior notice. Images may differ from original product.

Performance C Series

Technical Drawing



Logistical Data

Manufacturer number	A404T
Item number	XC040
EAN Barcode	4044953501173

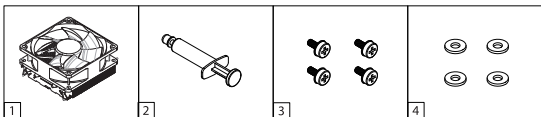


INSTALLATION MANUAL

A404T Series

EN DE RU KZ

Components List



[EN]

- 1) Cooler x1
- 2) Thermal Grease x1
- 3) Tightening Nut x4
- 4) Washer x4

[DE]

- 1) Kühler x1
- 2) Wärmeleitpastet x1
- 3) Schrauben x4
- 4) Unterlegscheiben x4

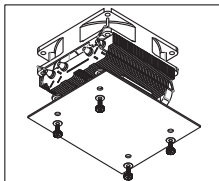
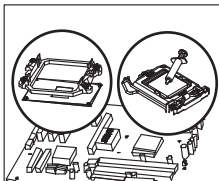
[RU]

- 1) Кулер x1
- 2) Термопаста x1
- 3) Затяжной винт x4
- 4) Шайба x4

[KZ]

- 1) Кулерді x1
- 2) Термопаста x1
- 3) Тартқыш бұранда x4
- 4) Шайба x4

AMD AM4



[EN]

Detach the AMD retention bracket from the motherboard; apply a thin layer of thermal grease to the CPU surface. Put the cooler onto the CPU; insert the screws through the washer from the back of the motherboard and fasten to secure.

[DE]

Lösen Sie die AMD Haltekammer vom Mainboard und tragen Sie eine dünne Schicht Wärmeleitpaste auf die CPU Oberfläche auf. Setzen Sie den CPU Kühler auf die CPU. Stecken Sie die Schrauben mit Unterleg-scheiben bestückt von unten durch das Motherboard und ziehen Sie die Schrauben fest.

[RU]

Отсоедините удерживающий кронштейн AMD от материнской платы; нанесите тонкий слой термопасты на поверхность процессора. Поместите кулер на процессор; вставьте винты через шайбу с задней части материнской платы и закрутите.

[KZ]

AMD ұстағыш кронштейн жүйелік тақтадан ажыратыңыз; термопастаның жұқа қабатын процессордың бетіне жағыңыз. Кулерді процессорға орналастырыңыз; бұрамаларды шайба арқылы аналық платаның артқы бөлігінен салыңыз және бұраңыз.



XILENCE GmbH
Lavesstraße 4
31137 Hildesheim
Germany
www.xilence.net
info@xilence.de