

Performance C+ Series

Power Supplies 550Watt / 650Watt / 750Watt

The C+Series is a power supply series with the ATX standard 2.52 and black ribbon cables. The power supplies are designed for office and home computers, but can also be installed in PCs that are occasionally used for gaming.

The black design of the power supplies and the elegant flat ribbon cables blend visually into any PC build.

The power supplies deliver stable voltages with high efficiency, thus meeting the ErP2014 standard and are 80+ certified. The integrated black 120mm fan provides silent cooling.

Five integrated safety circuits ensure safe operation at all times.

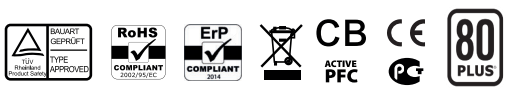
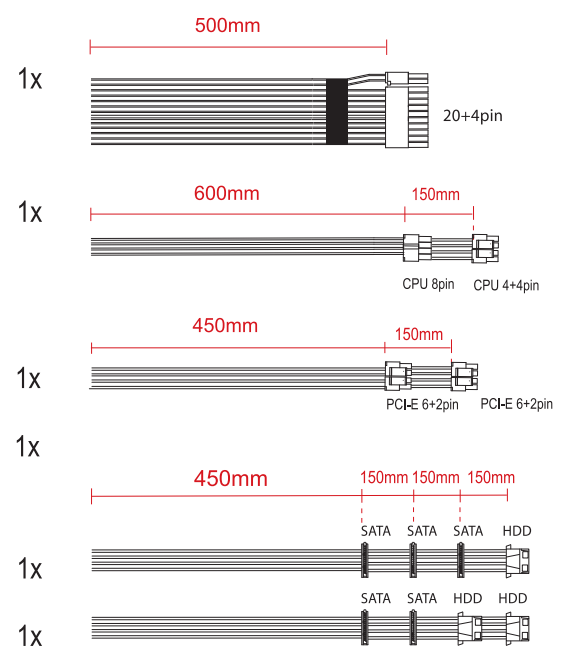


Product Features

- Whisper quiet cooling: Large black 120mm fan
- Excellent airflow design for improved heat dissipation
- The following safety equipment with:
 - OVP (Over Voltage Protection)
 - UVP (Under Voltage Protection)
 - SCP (Short Circuit Protection)
 - OLP (Over Load Protection)
 - OTP (over temperature protection)
- Low standby power consumption
- Complies with ErP2014 standard
- elegant black ribbon cable
- Active PFC

Technical Data | XP550R6.2

	AC INPUT	DC OUTPUT
XP550R6.2	200V - 240V	+ 3.3V 21.0A
		+ 5.0V 16.0A
		+ 12.0V1 38.0A
		- 12.0V 0.5A
		+ 5.0VSB 2.5A
Efficiencies		20% > 85%
		50% > 86%
		100% > 82%
		650W continuous

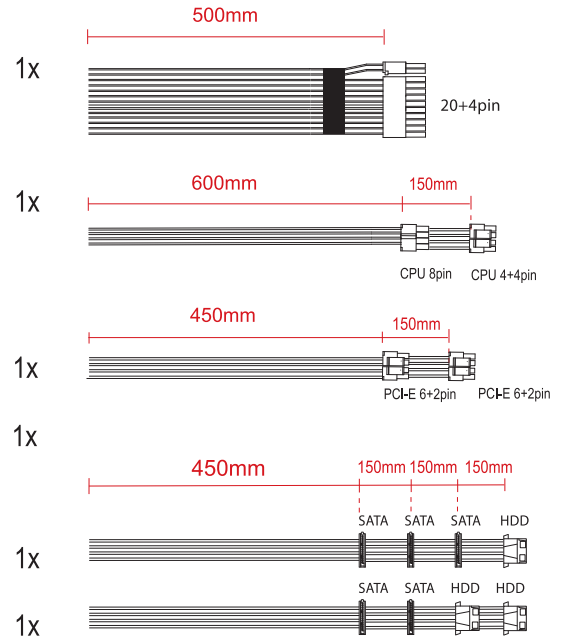


All trademarks and registered marks are the property of their respective companies. Errors excepted. Subject to change without prior notice. Images may differ from original product.

Performance C+ Series

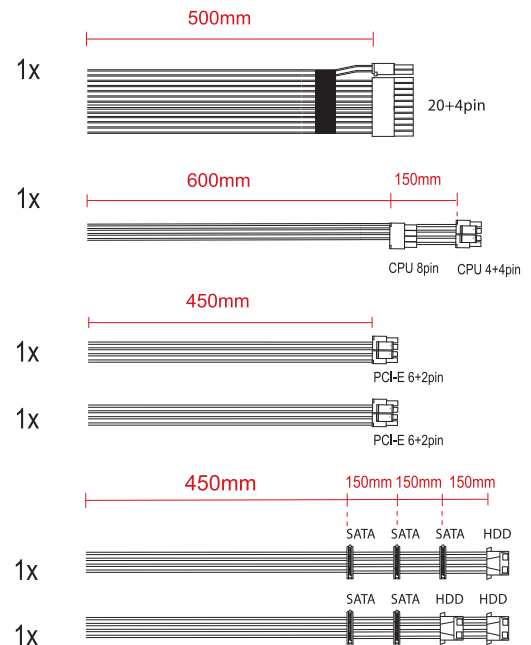
Technical Data | XP650R6.2

	AC INPUT	DC OUTPUT
XP650R6.2	200V - 240V	+ 3.3V 23.0A
		+ 5.0V 17.0A
		+ 12.0V1 48.0A
		- 12.0V 0.5A
		+ 5.0VSB 2.5A
Efficiencies		20% > 85%
		50% > 86%
		100% > 82%
	650W	continuous



Technical Data | XP750R6.2

	AC INPUT	DC OUTPUT
XP750R6.2	200V - 240V	+ 3.3V 24.0A
		+ 5.0V 18.0A
		+ 12.0V1 58.0A
		- 12.0V 0.5A
		+ 5.0VSB 2.5A
Efficiencies		20% > 85%
		50% > 86%
		100% > 82%
	750W	continuous



Logistical Data

Manufacturer Number	XP550R6.2	XP650R6.2	XP750R6.2
Item Number	XN410	XN420	XN430
EAN Barcode	4044953503801	4044953503535	4044953503573



All trademarks and registered marks are the property of their respective companies. Errors excepted. Subject to change without prior notice. Images may differ from original product.