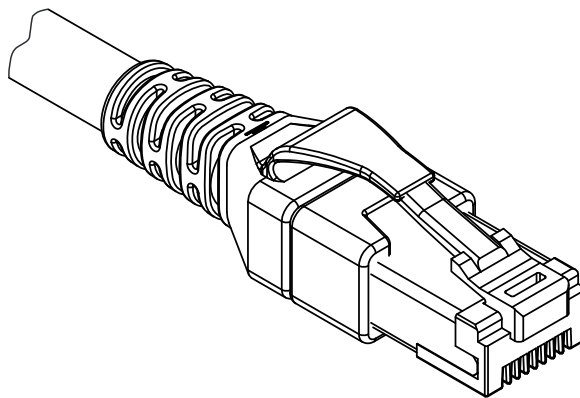



Technical Datasheet

EasyLan[®] Patch Cord DualBoot[®] Cat.6_A ISO/IEC

Article No. : see on page 3



i h g f e d c b a				drawn	14.09.2017	LP	 EasyLan[®] ...for a better connectivity	
				appr.	14.09.2017	MJ		
				Titel: EasyLan[®] Patch Cord DualBoot[®] Cat.6_A ISO/IEC				Dimensions: mm
				Drawing Number: ZN-CU171139				Original: DIN A4
				Index	Revision Code	Date		Name

Technical Data

General Data	
Connection	1:1
Colors	white, black, gray, red, yellow, green, blue, turquoise, violet, orange
Identification possibility	Colorclips (Order No.: CPZHS7BOX)
Cable Characteristics	
Cable type	S/FTP
Number twisting elements	4P+1
Twisting elements	Pair
Configuration	LSHF (LSOH) acc. EN50290-2-27
Braid	AWG26/7
Category	Cat. 6 _A ISO/IEC
Shielding	shielded
Connector Characteristics	
Housing material	Polycarbonate
Pin plating	Au (Gold)
Environmental Conditions	
Temperature range during operation	-25°C to + 60°C
Temperature range during installation	0°C to + 50°C
Approvals	
RoHS	conform
Standards	
General requests	ISO/IEC 11801 Ed.2.2: 2011-06 DIN EN 50173-1: 2011-09 TIA/EIA 568-C.2 DIN EN IEC 60332-3-24
Plug	DIN EN 60603-7
Transmission Characteristics	
Category (ISO)	6 _A
Category (TIA)	6 _A
Remote powering	yes
PoE	IEEE 802.3af
PoE +	IEEE 802.3at
PoE ++	IEEE 802.3bt
UPoE	yes
HDBaseT	yes
Bit rate up to 10 GBit	IEEE 802.3an

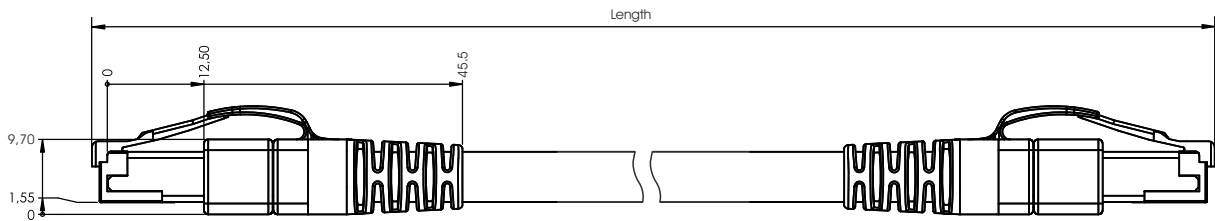
All rights reserved ZVK GmbH D-94244 Teisnach Technologiecampus 2 Germany Phone: +49 9923 804379-0 Fax: +49 9923 804379-50 www.zvk-gmbh.de

i h g f e d c b a	Änderung	02.11.2023	MW	drawn	14.09.2017	LP	 EasyLan [®] ...for a better connectivity	
	Änderung	13.01.2023	MW	appr.	14.09.2017	MJ		
	Änderung	17.10.2022	MW	Titel: EasyLan[®] Patch Cord DualBoot[®] Cat.6_A ISO/IEC				
	Änderung	26.10.2021	MW					
Änderung	08.10.2021	MW	Drawing Number: ZN-CU171139					
Änderung	17.02.2020	LP					Dimensions: mm Original: DIN A4 Sheet 2 of 3	
Änderung	22.08.2019	LP						
Änderung	11.06.2019	LP						
Neuerstellung	14.09.2017	LP						
Index	Revision Code	Date					Name	

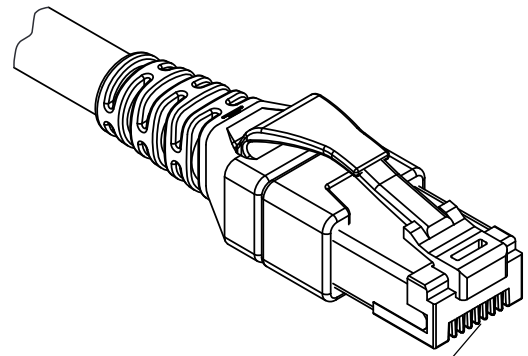
Technical Data

Electrical Characteristics	
Loop resistance	290 Ω/km
Insulation resistance	≥ 5000 MΩ*km
Characteristic impedance	100 ± 3Ω
Propagation delay	10ns / 100m
Packaging Unit	0,1 m - ≤5,0 m = 5 pcs >5,0 m = 1 pc

Drawing



Color	Order No.
white	CP1OWAWAWxxxx*
black	CP1OSASASxxxx*
gray	CP1OAAAAAxxxx*
red	CP1ORARARxxxx*
yellow	CP1OYAYAYxxxx*
green	CP1OGAGAGxxxx*
blue	CP1OBABABxxxx*
turquoise	CP1OTATATxxxx*
violet	CP1OVAVAVxxxx*
orange	CP1OOAOAxxxx*



Dimensions RJ45 according to IEC 60603-7

*Length in dm (xxxx)
e.g. 0010 = 1 m

i h g f e d c b a	Änderung Änderung Änderung Änderung Änderung Änderung Änderung Änderung Neuerstellung	02.11.2023 13.01.2023 17.10.2022 26.10.2021 08.10.2021 17.02.2020 22.08.2019 11.06.2019 14.09.2017	MW MW MW MW LP LP LP LP	drawn	14.09.2017	LP
				appr.	14.09.2017	MJ
Titel:				 EasyLan® ...for a better connectivity		
EasyLan® Patch Cord DualBoot® Cat.6_A ISO/IEC						
Drawing Number:				Dimensions: mm		
Index				Original: DIN A4		
Revision Code				Sheet 3 of 3		
Date				ZN-CU171139		
Name						