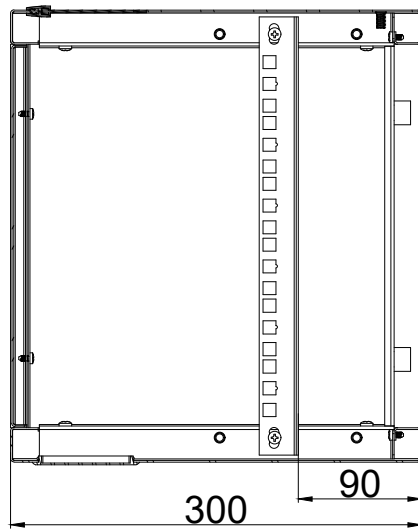
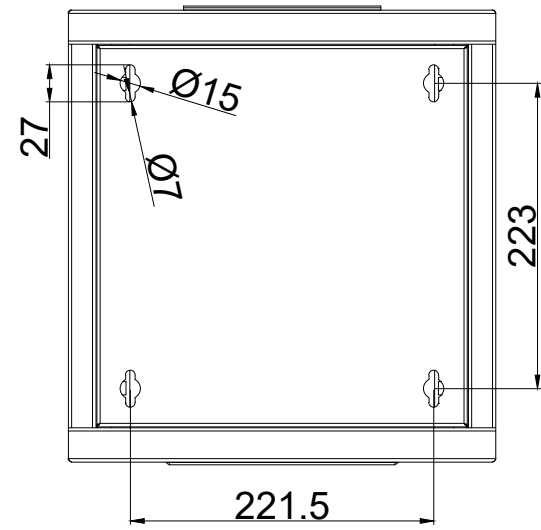


WIDTH OF WALL CABINET

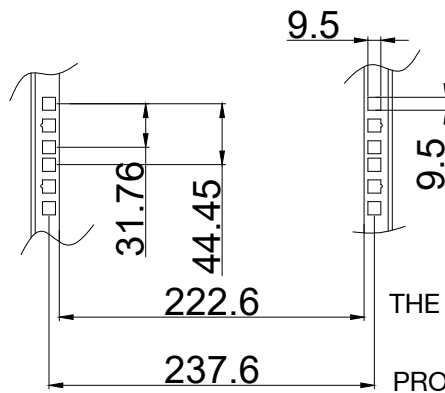
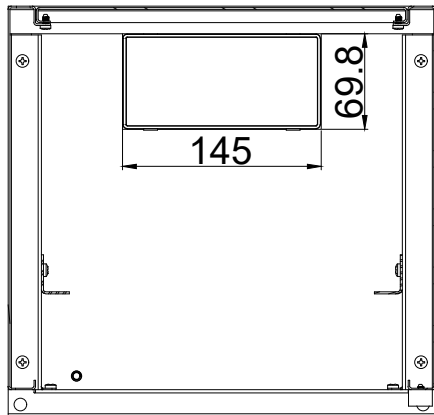
SIDE VIEW



DEPTH OF WALL CABINET



WIDTH OF HANGING HOLE



THE CENTRAL DISTANCE BETWEEN THE HOLE AND THE HOLE

PROFILE RAIL MOUNTING DIMENSIONS

- 6U-HEIGHT: 330 MM
- 9U-HEIGHT: 464 MM
- 12U-HEIGHT: 592 MM
- THICKNESS: 1.2 MM